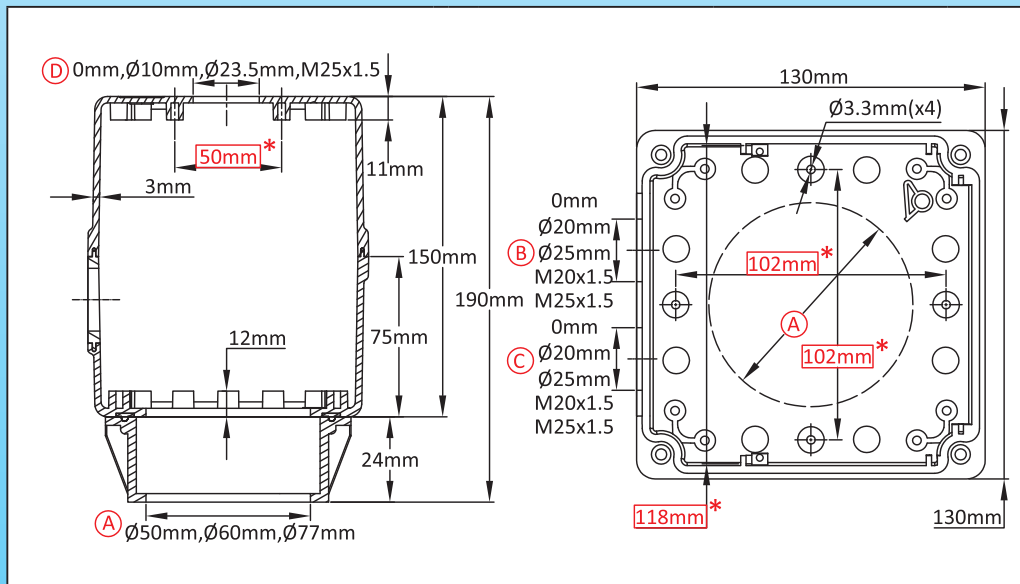


Big size enclosure with extension, for immersion heater

Size(mm)	Volume(cm ³)	Material	Protection grade		Model
130 X 130 X 190	2836	PA66	IP69K	IK10	Y3M1 (P1)

Suitable for
<input type="checkbox"/> Temperature sensor
<input checked="" type="checkbox"/> Immersion heater
<input type="checkbox"/> Finned heater
<input checked="" type="checkbox"/> Thermostat
<input type="checkbox"/> Level sensor
<input checked="" type="checkbox"/> Electronic board



Links

Page
(.pdf)

Drawing 2D
(.dwg)

Drawing 3D
(.stp)

Main references

A(mm)	B(mm)	C(mm)	D(mm)	References	A(mm)	B(mm)	C(mm)	D(mm)	References
50	0	0	0	Y3M150000000000T	50	20	20	10	Y3M1500A2200000T
50	0	0	10	Y3M1500A0000000T	50	20	20	23.5	Y3M1500D2200000T
50	0	0	23.5	Y3M1500D0000000T	50	20	20	M25x1.5	Y3M1500F2200000T
50	0	0	M25x1.5	Y3M1500F0000000T	50	25	25	0	Y3M150002250000T
50	0	20	0	Y3M150001200000T	50	25	25	10	Y3M1500A2250000T
50	0	20	10	Y3M1500A1200000T	50	25	25	23.5	Y3M1500D2250000T
50	0	20	23.5	Y3M1500D1200000T	50	25	25	M25x1.5	Y3M1500F2250000T
50	0	20	M25x1.5	Y3M1500F1200000T	50	M20x1.5	M20x1.5	0	Y3M150002T000000T
50	0	25	0	Y3M150001250000T	50	M20x1.5	M20x1.5	10	Y3M1500A2T000000T
50	0	25	10	Y3M1500A1250000T	50	M20x1.5	M20x1.5	23.5	Y3M1500D2T000000T
50	0	25	23.5	Y3M1500D1250000T	50	M20x1.5	M20x1.5	M25x1.5	Y3M1500F2T000000T
50	0	25	M25x1.5	Y3M1500F1250000T	50	M25x1.5	M25x1.5	0	Y3M150002T500000T
50	0	M20x1.5	0	Y3M150001T000000T	50	M25x1.5	M25x1.5	10	Y3M1500A2T500000T
50	0	M20x1.5	10	Y3M1500A1T000000T	50	M25x1.5	M25x1.5	23.5	Y3M1500D2T500000T
50	0	M20x1.5	23.5	Y3M1500D1T000000T	50	M25x1.5	M25x1.5	M25x1.5	Y3M1500F2T500000T
50	0	M20x1.5	M25x1.5	Y3M1500F1T000000T	60	0	0	0	Y3M160000000000T
50	0	M25x1.5	0	Y3M150001T500000T	60	0	0	10	Y3M1600A0000000T
50	0	M25x1.5	10	Y3M1500A1T500000T	60	0	0	23.5	Y3M1600D0000000T
50	0	M25x1.5	23.5	Y3M1500D1T500000T	60	0	0	M25x1.5	Y3M1600F0000000T
50	0	M25x1.5	M25x1.5	Y3M1500F1T500000T	60	0	20	0	Y3M160001200000T
50	20	20	0	Y3M150002200000T	60	0	20	10	Y3M1600A1200000T

Cable gland not included in these reference, consult us if you want them.

Red dimensions inside rectangular frames on drawings are used for accessories assembly.



Big size enclosure with extension, for immersion heater

**Y3M1
(P2)**

⊙(mm)	⊙(mm)	⊙(mm)	⊙(mm)	References	⊙(mm)	⊙(mm)	⊙(mm)	⊙(mm)	References
60	0	20	23.5	Y3M1600D1200000T	77	0	0	M25×1.5	Y3M1770F0000000T
60	0	20	M25×1.5	Y3M1600F1200000T	77	0	20	0	Y3M177001200000T
60	0	25	0	Y3M160001250000T	77	0	20	10	Y3M1770A1200000T
60	0	25	10	Y3M1600A1250000T	77	0	20	23.5	Y3M1770D1200000T
60	0	25	23.5	Y3M1600D1250000T	77	0	20	M25×1.5	Y3M1770F1200000T
60	0	25	M25×1.5	Y3M1600F1250000T	77	0	25	0	Y3M177001250000T
60	0	M20×1.5	0	Y3M160001T00000T	77	0	25	10	Y3M1770A1250000T
60	0	M20×1.5	10	Y3M1600A1T00000T	77	0	25	23.5	Y3M1770D1250000T
60	0	M20×1.5	23.5	Y3M1600D1T00000T	77	0	25	M25×1.5	Y3M1770F1250000T
60	0	M20×1.5	M25×1.5	Y3M1600F1T00000T	77	0	M20×1.5	0	Y3M177001T00000T
60	0	M25×1.5	0	Y3M160001T50000T	77	0	M20×1.5	10	Y3M1770A1T00000T
60	0	M25×1.5	10	Y3M1600A1T50000T	77	0	M20×1.5	23.5	Y3M1770D1T00000T
60	0	M25×1.5	23.5	Y3M1600D1T50000T	77	0	M20×1.5	M25×1.5	Y3M1770F1T00000T
60	0	M25×1.5	M25×1.5	Y3M1600F1T50000T	77	0	M25×1.5	0	Y3M177001T50000T
60	20	20	0	Y3M160002200000T	77	0	M25×1.5	10	Y3M1770A1T50000T
60	20	20	10	Y3M1600A2200000T	77	0	M25×1.5	23.5	Y3M1770D1T50000T
60	20	20	23.5	Y3M1600D2200000T	77	0	M25×1.5	M25×1.5	Y3M1770F1T50000T
60	20	20	M25×1.5	Y3M1600F2200000T	77	20	20	0	Y3M177002200000T
60	25	25	0	Y3M160002250000T	77	20	20	10	Y3M1770A2200000T
60	25	25	10	Y3M1600A2250000T	77	20	20	23.5	Y3M1770D2200000T
60	25	25	23.5	Y3M1600D2250000T	77	20	20	M25×1.5	Y3M1770F2200000T
60	25	25	M25×1.5	Y3M1600F2250000T	77	25	25	0	Y3M177002250000T
60	M20×1.5	M20×1.5	0	Y3M160002T00000T	77	25	25	10	Y3M1770A2250000T
60	M20×1.5	M20×1.5	10	Y3M1600A2T00000T	77	25	25	23.5	Y3M1770D2250000T
60	M20×1.5	M20×1.5	23.5	Y3M1600D2T00000T	77	25	25	M25×1.5	Y3M1770F2250000T
60	M20×1.5	M20×1.5	M25×1.5	Y3M1600F2T00000T	77	M20×1.5	M20×1.5	0	Y3M177002T00000T
60	M25×1.5	M25×1.5	0	Y3M160002T50000T	77	M20×1.5	M20×1.5	10	Y3M1770A2T00000T
60	M25×1.5	M25×1.5	10	Y3M1600A2T50000T	77	M20×1.5	M20×1.5	23.5	Y3M1770D2T00000T
60	M25×1.5	M25×1.5	23.5	Y3M1600D2T50000T	77	M20×1.5	M20×1.5	M25×1.5	Y3M1770F2T00000T
60	M25×1.5	M25×1.5	M25×1.5	Y3M1600F2T50000T	77	M25×1.5	M25×1.5	0	Y3M177002T50000T
77	0	0	0	Y3M177000000000T	77	M25×1.5	M25×1.5	10	Y3M1770A2T50000T
77	0	0	10	Y3M1770A0000000T	77	M25×1.5	M25×1.5	23.5	Y3M1770D2T50000T
77	0	0	23.5	Y3M1770D0000000T	77	M25×1.5	M25×1.5	M25×1.5	Y3M1770F2T50000T

Because of permanent improvement of our products, drawings, descriptions, features used on these data sheets are for guidance only and can be modified without prior advice

